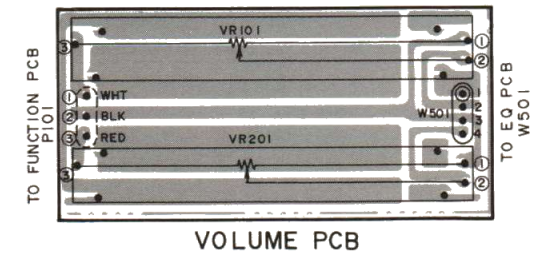
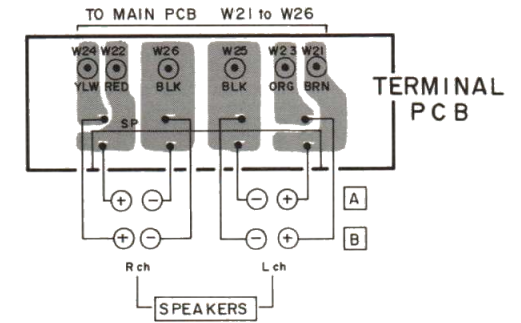


# AKAI

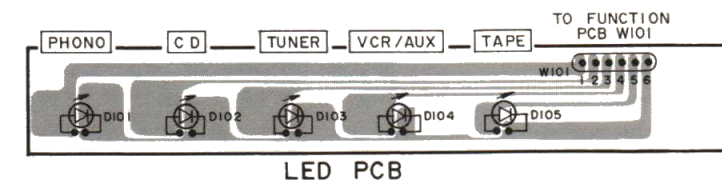
## MODEL AM-A305/A505

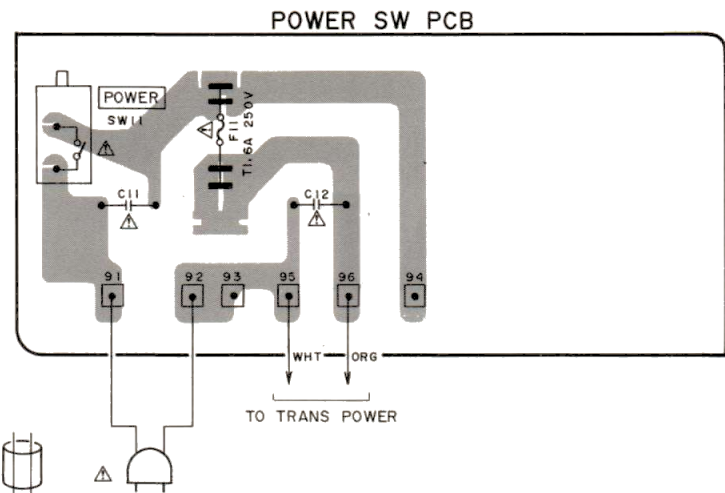
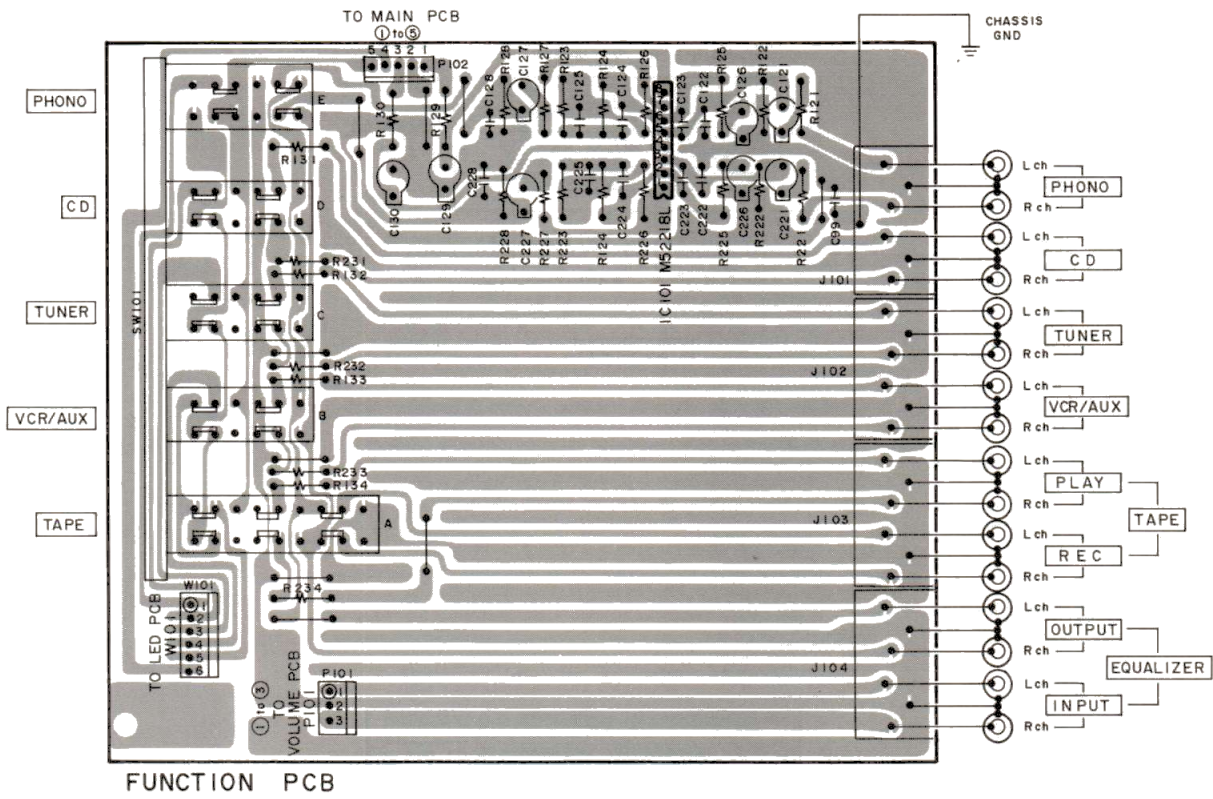
### SCHEMATIC DIAGRAM AND PC BOARDS



#### TABLE OF CONTENTS

1. LED PCB, TERMINAL PCB, AND VOLUME PCB.....	1
2. EQ PCB, FUNCTION PCB, MAIN PCB, AND POWER PCB.....	2
3. SCHEMATIC DIAGRAM.....	3
4. BLOCK DIAGRAM.....	4

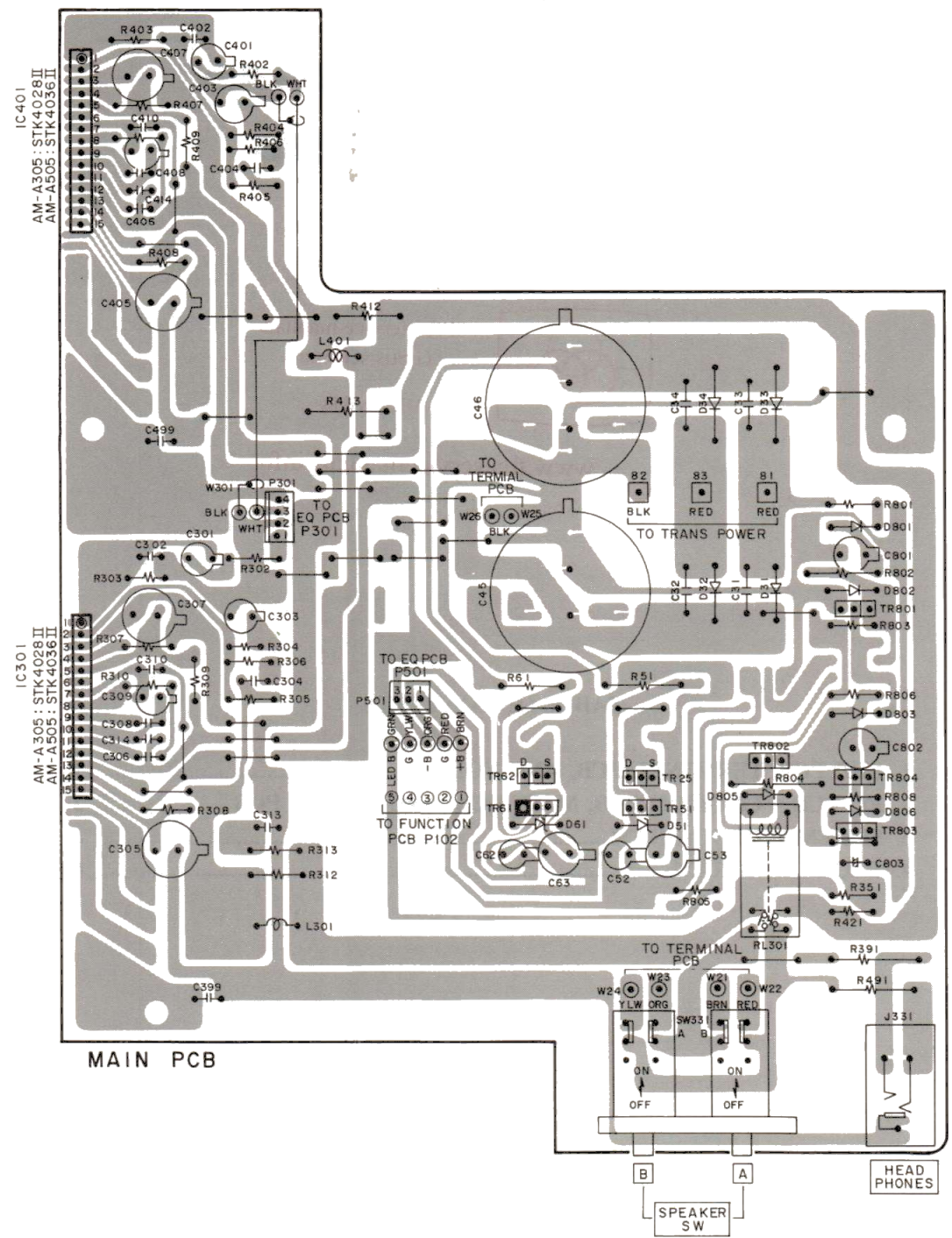
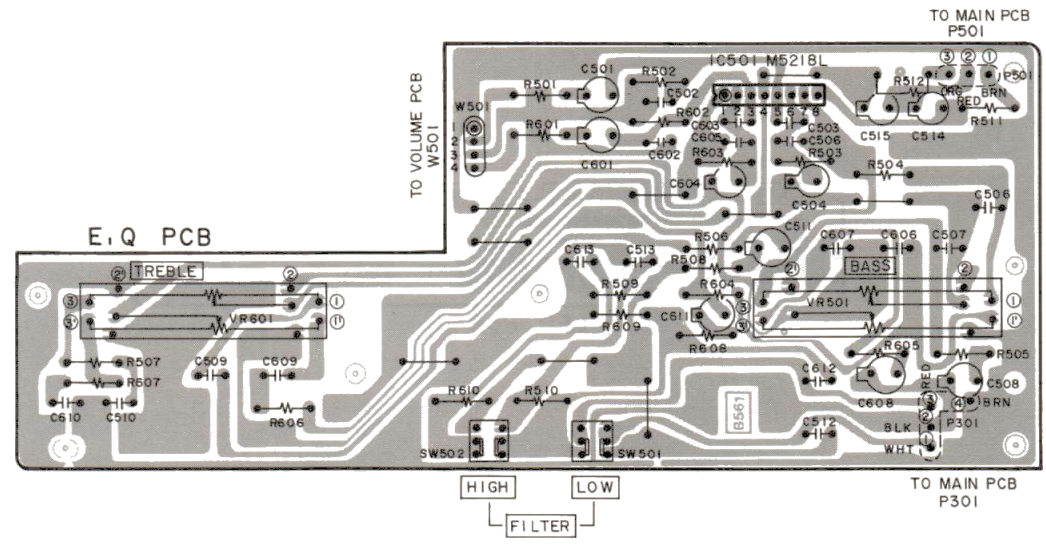




- [B] AC240V 50 Hz
- [E] AC220V 50Hz
- [S] AC240V 50 Hz

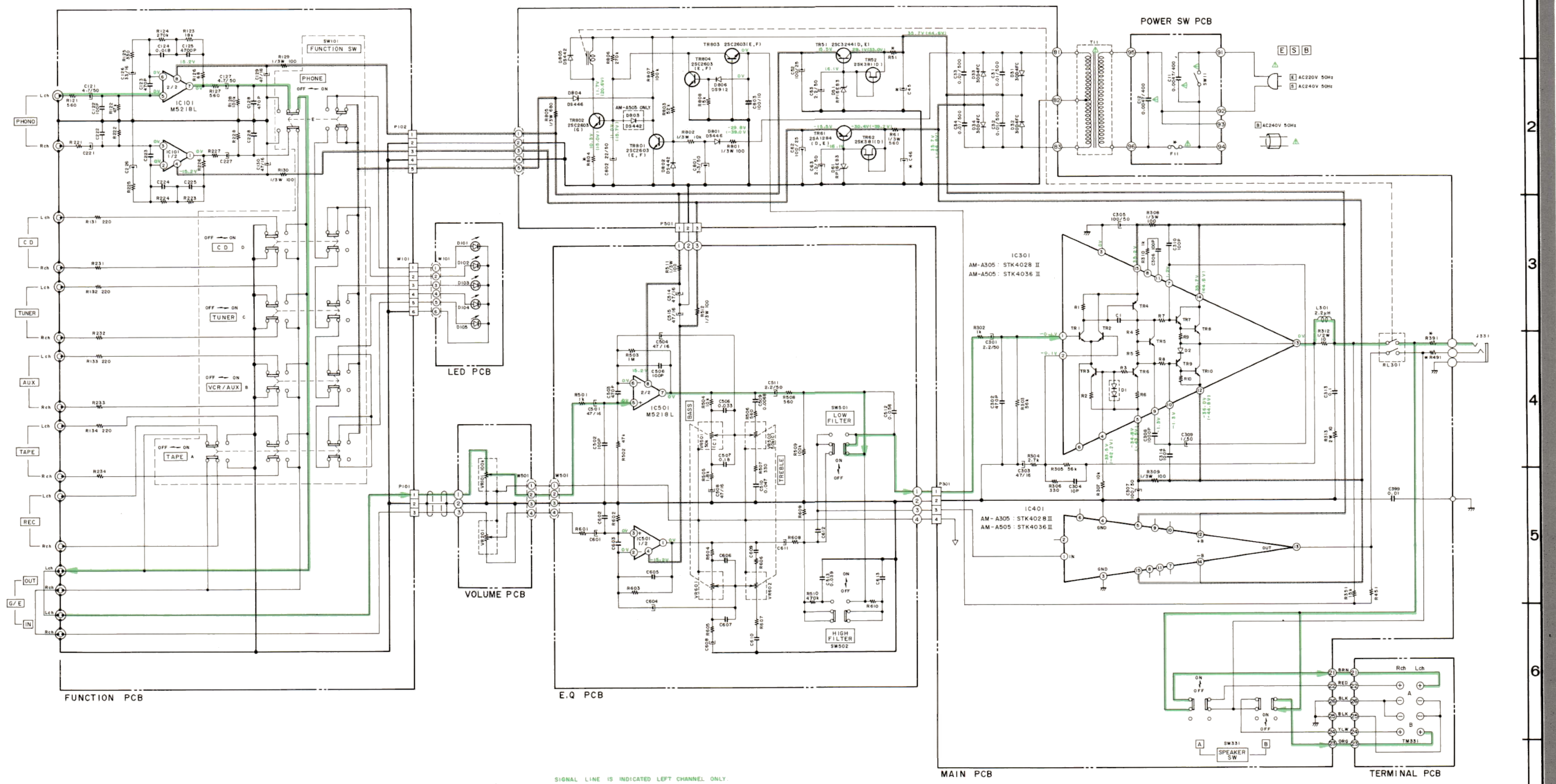
WARNING: ⚠ INDICATES SAFETY CRITICAL COMPONENTS FOR CONTINUED SAFETY. REPLACE SAFETY CRITICAL COMPONENTS ONLY WITH MANUFACTURER'S RECOMMENDED PARTS.

AVERTISSEMENT: ⚠ IL INDIQUE LES COMPOSANTS CRITIQUES DE SÉCURITÉ. POUR MAINTENIR LE DEGRÉ DE SÉCURITÉ DE L'APPAREIL, NE REMPLACER QUE DES PIÈCES RECOMMANDÉES PAR LE FABRICANT.



A B C D E F G H I J K

#	R804	R51	C45	C46	F11	R551	R491
AM-A305	1/2W 470	1/2W 220	4700/40	4700/40	TB009A 250V	1W 330	1W 330
AM-A505	1W 680	1W 390	6800/50	6800/50	TI-6A 250V	1W 390	1W 590



— B (POWER SUPPLY) LINE  
 — SIGNAL LINE

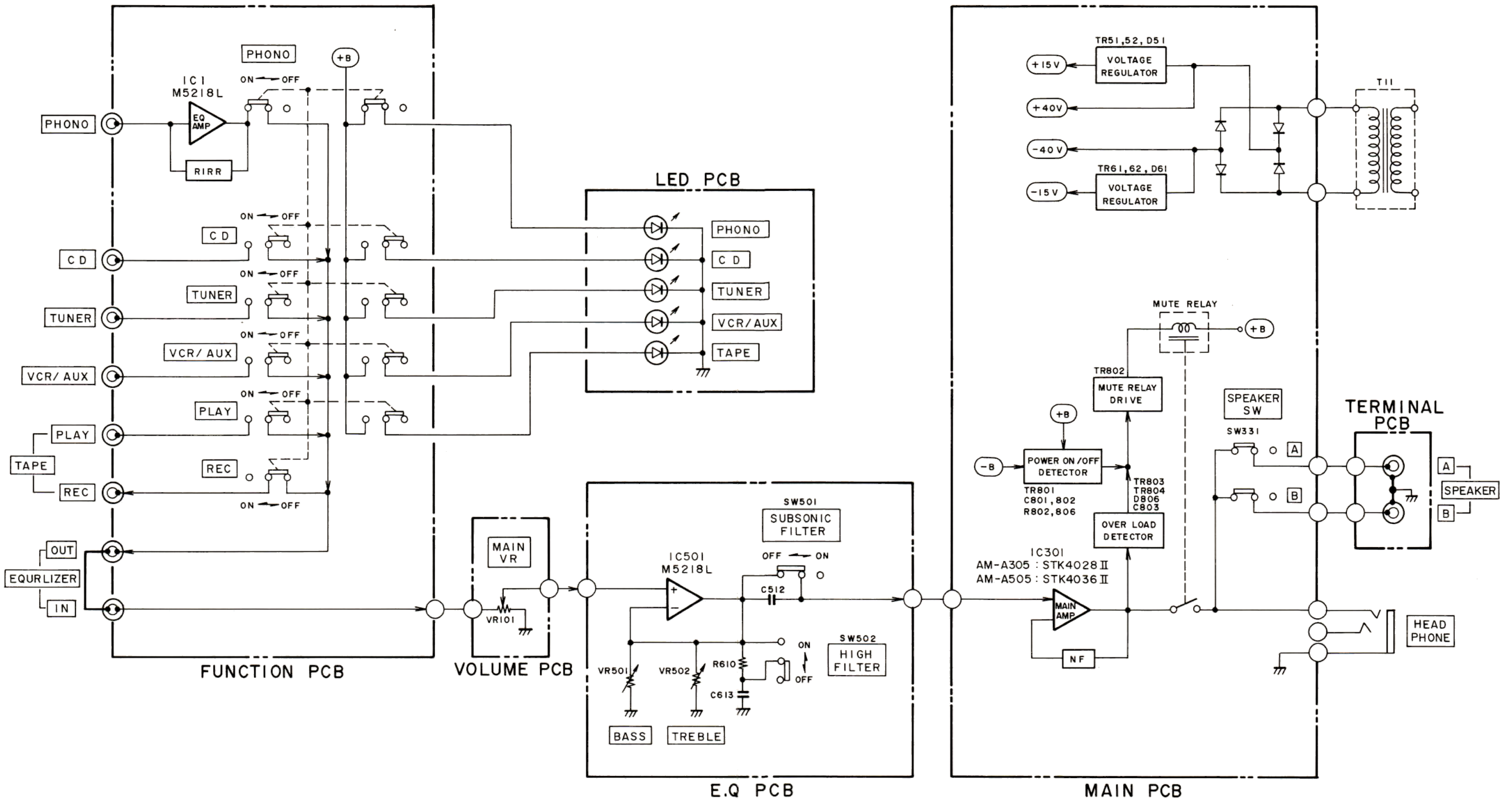
SIGNAL LINE IS INDICATED LEFT CHANNEL ONLY.  
 VOLTAGE MEASURED OF MODEL AM-A305  
 INDICATED IN ( ) OF MODEL AM-A505

WARNING ⚠ INDICATES SAFETY CRITICAL COMPONENTS FOR CONTINUED SAFETY  
 REPLACE SAFETY CRITICAL COMPONENTS ONLY WITH MANUFACTURER'S  
 RECOMMENDED PARTS  
 AVERTISSEMENT ⚠ IL INDIQUE LES COMPOSANTS CRITIQUES DE SECURITE  
 POUR MAINTENIR LE DEGRE DE SECURITE DE L'APPAREIL  
 NE REMPLACER QUE DES PIECES RECOMMENDEES PAR LE FABRICANT

NOTE. 1) A PART OF Rch CIRCUIT AND THE NUMERICAL VALUE  
 ARE OMITTED.  
 2) UNLESS OTHERWISE SPECIFIED ALL RESISTORS IN OHMS 1/4W(1J)  
 3) ALL CAPACITORS IN μF 50WV(1J)

AM-A305/A505  
 SCHEMATIC DIAGRAM  
 NO. 870611A

A B C D E F G H I J K



AM-A305/A505  
BLOCK DIAGRAM  
No. 870610A